



LYCO
Manufacturing, Inc.

THE *EXPERTS* IN INNOVATIVE
FOOD PROCESSING MACHINERY

**EXTERNAL-FLOW
SCREEN**



LYCO EXTERNAL-FLOW WASTEWATER SCREENS

ADVANCED TECHNOLOGIES THAT IMPROVE OPERATIONS

Lyco Manufacturing has more than 50 years of industry-leading experience manufacturing screens and other food processing equipment. We have an outstanding reputation for manufacturing innovative, rugged machinery, used by 50 of the top 100 food companies in North America.

The state-of-the-art design of the Lyco External-Flow Screen uses the same advanced technology and precision manufacturing to help our customers improve their operations.



DOCTOR BLADE FOR
CLEANING SCREEN



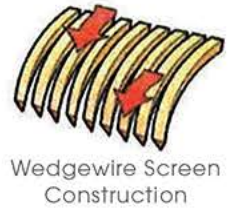
WEDGEWIRE SCREEN CONSTRUCTION
IS LESS APT TO PLUG



HEADBOX WITH OVER-FLOW
FOR PROTECTION

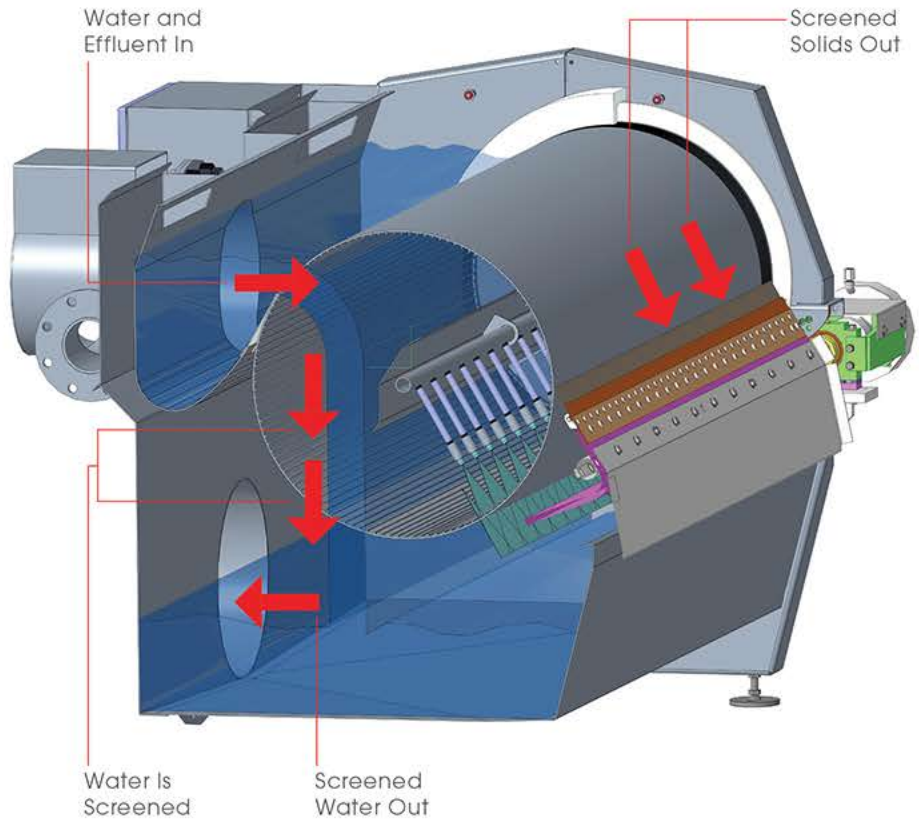
HOW IT WORKS

Raw influent enters the headbox which distributes water and solids across the screen. As the drum rotates, it pulls solids to the outside of the screen where a blade removes the solids. The water is screened as it passes through, and cascades down the inside of the drum, creating backwash. The backwash, inner spray header, and internal flights work in tandem to self-clean the drum.



BENEFITS:

- Lyco has over 1,800 screens used in the food & beverage industries
- Proven rugged, low-maintenance construction
- Doctor blade helps reduce blinding
- Lower BOD, TSS, and TKN with reduced hauling costs and higher recovery
- Uses less chemicals in post-water treatments
- Control panel option for easy startup
- Cleanout ports for easy sanitation
- Continuous internally-reinforced drum for precise roundness
- TEFC variable heavy-duty Nord Gear drive
- Optional solenoid valve to reduce CIP spray



EXTERNAL-FLOW SCREENS FLOW RATE:

APPLICATION	WEDGEWIRE SCREEN OPENING	FLOW RATE IN GALLONS PER MINUTE <i>Depending upon specific application flow rates may vary depending upon solids type.</i>			
	MODEL SIZE	25 x 48	24 x 72	36 x 72	36 x 120
<i>Sizing may vary depending upon application.</i>					
Meat Processing	.030"	200-450	310-680	420-780	700-1750
Poultry	.020"	380	560	660	1400
Vegetables	.020"	520	790	900	1510
Vegetables	.030"	690	1040	1200	2000
Vegetables	.040"	840	1260	1400	2420



SUGGESTED APPLICATIONS



For more information visit: www.LycoMfg.com



THE **EXPERTS** IN INNOVATIVE
FOOD PROCESSING MACHINERY

TRUST IN LYCO'S 50 YEARS OF EXPERIENCE

50 of the Top 100 North American food companies that feed the world trust and rely on Lyco Food Processing Machinery.

Our innovations in the Heating/Cooling and Liquid-Solid Separation machinery have made us a global leader and an expert in the food processing industry.

Our extensive equipment offerings include:

- Blanchers/Cookers/Coolers
- Wastewater/Liquid-Solid Separation
- Peelers/Washers/Scrubbers
- Green Bean Equipment
- After Market Services

For more information visit: www.LycoMfg.com

Lyco Manufacturing, Inc.
115 Commercial Drive, P.O. Box 31
Columbus, WI 53925

P: 920-623-4152

F: 920-623-3780

E: sales@lycomfg.com

www.LycoMfg.com

