



LYCO
Manufacturing, Inc.

THE *EXPERTS* IN INNOVATIVE
FOOD PROCESSING MACHINERY

LYCO
MATERIAL HANDLING



LYCO LIFT AND DUMP SYSTEMS

Lyco Manufacturing, Inc. has over 50 years of experience manufacturing innovative food processing machinery. This tradition continues as we now offer our NEW Lyco LAD Lift and Dump Systems.



NEXT GENERATION - Modern clean design

MOST SANITARY - All T-304 stainless steel

HEAVY DUTY - Robust construction throughout

QUIETEST - Electric motor/jackscrew power

LOW MAINTENANCE - Runs like a clock

NO LEAKAGE - No hydraulics, pumps or motors

HINGED SIDE PANELS - Easy access to clean

PERSONNEL SAFETY - Electric eye sensors

FLOOR LOADING

- Overall height adjustable to ceiling
- Fork lifts or pallet jack loading
- Adjustable tote hold down bars
- Safety sensors at loading station



CONTROLS - E-Stop and Lock Out Tag

MECHANICAL SYSTEM - Floor Level Access



SANITARY ACCURATE FEED SYSTEM

FEATURES:

- 3 Hopper sizes: Small (3 cu. ft.), Medium (12 cu. ft.), and Large (25 cu. ft.)
- Sanitary hopper designs
- Electro magnetic even feed conveyor
- Handles all short goods dry pasta shapes, rice, and dry beans
- Infinite other particulate food types
- Precisely meter feeds Blanchers/Cookers

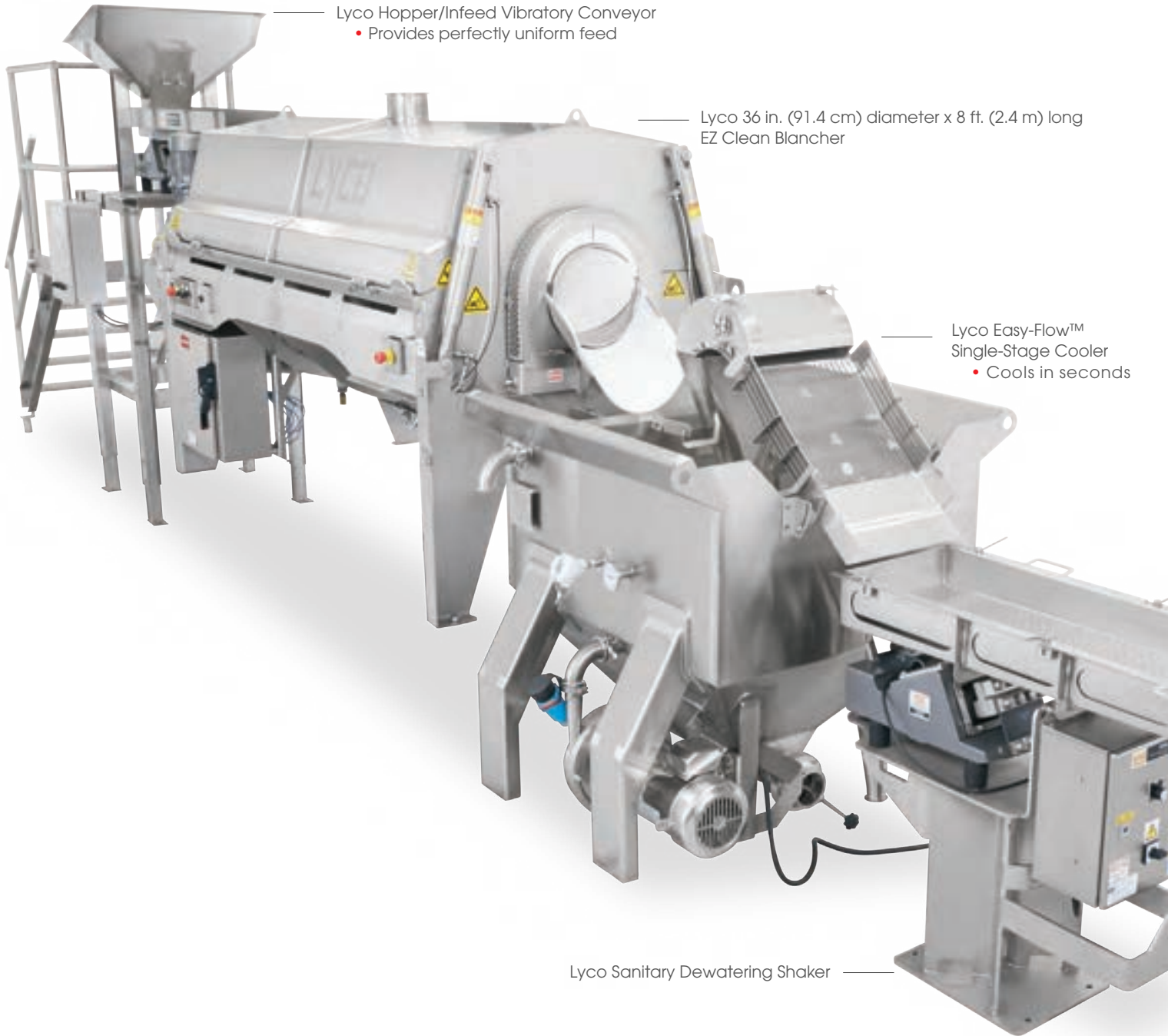
25 cu. ft.

12 cu. ft.

3 cu. ft.



COMPLETE PASTA LINE



Lyco Hopper/Infeed Vibratory Conveyor
• Provides perfectly uniform feed

Lyco 36 in. (91.4 cm) diameter x 8 ft. (2.4 m) long
EZ Clean Blancher

Lyco Easy-Flow™
Single-Stage Cooler
• Cools in seconds

Lyco Sanitary Dewatering Shaker

SUGGESTED APPLICATIONS



VEGETABLES POTATOES RICE PASTA DRY BEANS

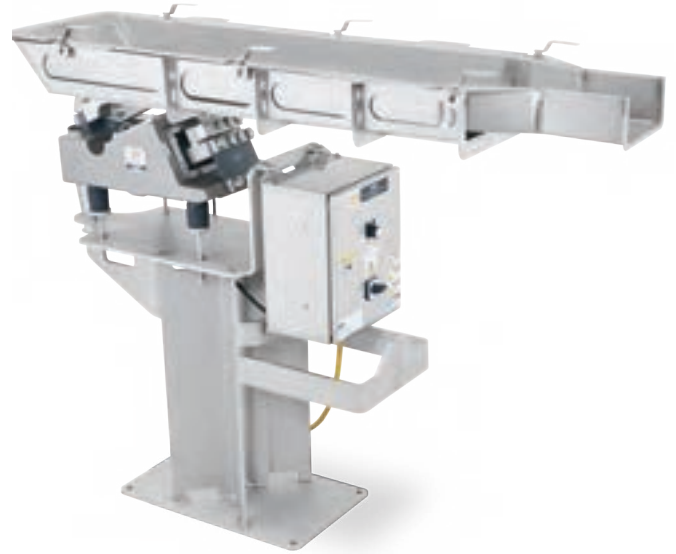
For more information visit: www.LycoMfg.com

LYCO ELECTROMAGNETIC TRANSFER CONVEYORS

The Lyco Electromagnetic Transfer Conveyors between blancher/cooker and coolers.

FEATURES:

- Ideal for transfer between low risk/high care
- Pedestal mounted
- T-304 stainless steel pan
- No hollow tubing
- Variable speed
- Electromagnetic drive
- Pan easily removable for sanitation



LYCO SANITARY DEWATERING SHAKERS

FEATURES:

- Ideal for dewatering after blancher or cooler
- T-304 stainless steel pan
- Variable speed
- Perforated dewatering pan removable for sanitation

LYCO BLUE BELT INFEEED CONVEYORS

For all product types. Optional hopper with vibratory shaker.

FEATURES:

- Conveys rice, dry beans, and short good pastas
- Delivers uniform feed to cooker
- Sanitary design
- Easy to clean





THE **EXPERTS** IN INNOVATIVE
FOOD PROCESSING MACHINERY

TRUST IN LYCO'S 50 YEARS OF EXPERIENCE

50 of the Top 100 North American food companies that feed the world trust and rely on Lyco Food Processing Machinery.

Our innovations in the Heating/Cooling and Liquid-Solid Separation machinery have made us a global leader and an expert in the food processing industry.

Our extensive equipment offerings include:

- Blanchers/Cookers/Coolers
- Wastewater/Liquid-Solid Separation
- Peelers/Washers/Scrubbers
- Green Bean Equipment
- After Market Services

For more information visit: www.LycoMfg.com

Lyco Manufacturing, Inc.
115 Commercial Drive, P.O. Box 31
Columbus, WI 53925

P: 920-623-4152

F: 920-623-3780

E: sales@lycomfg.com

www.LycoMfg.com